



P80E

Modular Electric Oven for Bakery

COMPOSITION WITH 1 BAKING CHAMBER
INTERNAL HEIGHT 30 cm



OPTIONAL AND ACCESSORIES (WITH ADDITIONAL PRICE)

- Leavening prover on wheels, height 600 mm
- Leavening prover on wheels with humidifier, height 600 mm
- Leavening prover on wheels, height 800 mm
- Leavening prover on wheels with humidifier, height 800 mm
- Support on wheels, height 600 mm
- Support on wheels, height 800 mm
- Support on wheels, height 950 mm
- Additional tray holder slides for prover and support
- Bottom in refractory bricks
- Steamer for baking deck
- Spacer element height 300 mm
- Suction hood

(WITHOUT SURCHARGE)

- Front vapour collection hood in stainless steel sheet

EXTERNAL CONSTRUCTION

- Structure in folded steel sheet
- Side panels in coloured sheet
- Stainless steel hood with top in aluminized sheet
- Front vapour collection hood in enameled steel sheet
- Exhaust steam chimney in steel sheet
- Downward-opening stainless steel door hinged with spring balance system
- Tempered glass
- Handles in thermoplastic material
- Control panel on the right side

INTERNAL CONSTRUCTION

- Bottom in embossed sheet steel
- Sides and ceiling in aluminized sheet
- Thermal insulation in rock wool

FUNCTIONING

- Heating by armored heating elements
- Electronic temperature setting with independent regulation of the ceiling and the bottom
- Max. temperature 450°C
- Continuous temperature survey by mean of a thermocouple
- Steam exhaust by mean of a manual butterfly valve

STANDARD EQUIPMENT

- Lighting system by mean of incandescent lamp
- Timer
- Energy saver
- Independent safety system of max. temperature
- 20 customisable programs



MORETTI FORNI S.P.A.

www.morettiforni.com

e-mail: marketing@morettiforni.com

Via A.Meucci, 4 - 61037 Mondolfo (PU) ITALIA

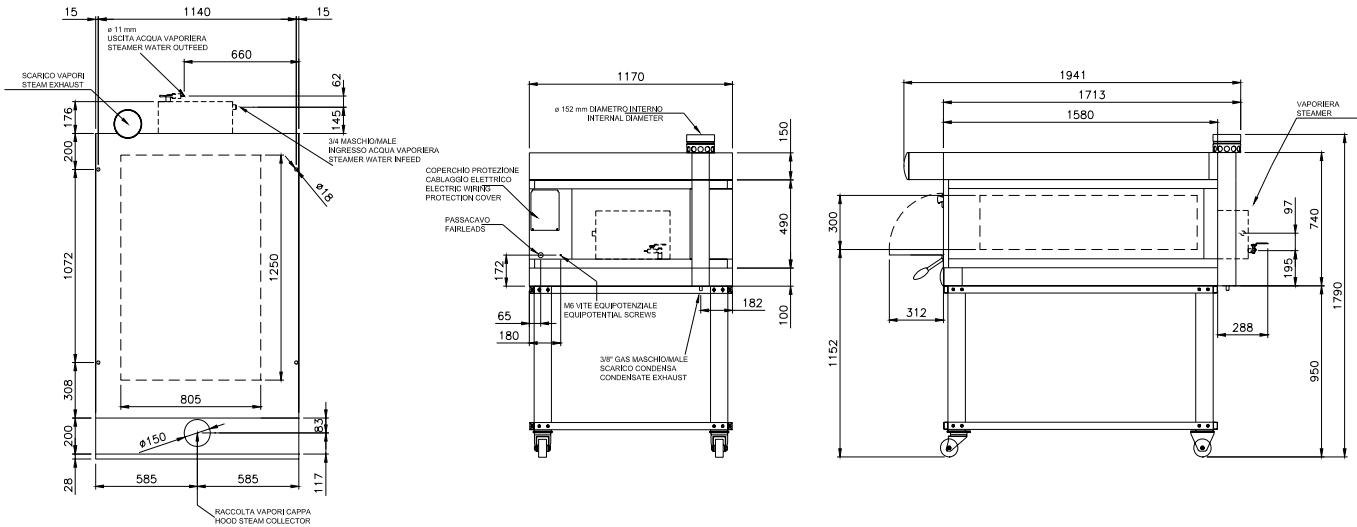
Tel. +39.0721.96161 - Fax +39.0721.9616299



P80E

1 deck height 30

(assembled with support height 950 mm)



Note: The dimensions indicated in the views are in millimetres.

SPECIFICATIONS

The equipment consists in three independent baking decks and an eventual leavening prover or stand. The baking deck bottom is in embossed sheet steel which grants a perfect heat distribution on all the surface, making this oven particularly suitable for the pastry. The temperature regulation is electronic, the ceiling and bottom heating elements control is independent. The oven door is downward-opening and hinged with tempered glass to control the product baking level. The support consists in a structure in coloured metal, the prover structure at the contrary is in stainless steel and it is equipped with a thermostat for the heating. The prover reaches a max. temperature of 65° C and the max. temperature of the baking deck is 450°

All the data here under indicated are referred to the composition with 1 baking deck

SIZES

External height	840 mm
External depth	1941 mm
External width	1170 mm
Weight (support excluded)	242 kg
Total baking surface	1 m ²

SHIPMENT INFORMATIONS

Package in wood cage	
Height	990 mm
Depth	2141 mm
Width	1370 mm
Weight	(242+10) kg

FEEDING AND POWER

<i>Standard feeding</i>	
A.C. V 400 3N	
<i>Feeding on request</i>	
A.C. V230 3	
Frequency	50/60 Hz
Max Power	8.5 kW
* Average power consumption 4.25 kWh	
Connection cable	
type H07RN-F	
5x4 mm ² (V400)	
4x6 mm ² (V230 3)	
Prover feeding	
A.C. V 230 1 N 50/60 Hz	
Max Power	1.5 kW
* Average power consumption 0.8 kWh	

BAKING TOTAL CAPACITY

Trays (600x400) mm	4	In case of composition with prover or support:
		Max height
		Max weight

1940 mm
(338+10) kg

*This value is subject to variation according to the way in which the equipment is used

-NOTE: Moretti Forni Spa reserves the right to modify the characteristics of the products illustrated in this publication without prior notice